



# MB27

Moisture Analyzer

**LAB  
TECH**  
Equipements Scientifiques et  
Consommables de Laboratoire  
[www.labtech.com.tn](http://www.labtech.com.tn)  
@ : contact@labtech.com.tn  
☎ : (+216) 71 483 166 / 188



## ***Outstanding Performance, Flexible Configuration and Reliable Results***

The new OHAUS MB27 Basic Moisture Analyzer combines high quality and durable construction into a sleek, compact design. The MB27 offers dependable, accurate results for a wide variety of moisture analysis applications.

### ***Standard Features Include:***

- With 0.01% 0.001g accuracy, the MB27 Moisture Analyzer is suitable for most applications.
- Halogen heating and dual weight-temperature calibration provide fast, reliable results.
- User-friendly touch-button design for easy operation.

# MB27 Moisture Analyzer

Model	MB27
Capacity	90 g
Repeatability (Std Dev ) (g)	0.2% (3 g sample) 0.05% (10 g sample)
Readability	0.01%/0.001 g
Sample size	typical: 3g - 20g minimum: 0,5g
Interface	Bidirectional RS232
Timer	1-99 minutes, 30-second increments to 60 minutes
Heating Technology	Halogen
Temperature Range	50 °C to 160 °C in 5 °C increments
Power	100 to 240 VAC, 50/60 Hz
Tare Range	To capacity by subtraction
Operating Temperature Range	5 °C to 40 °C
Display Type	Backlit LCD
Displays	%moisture or %solids or weight (g), temperature, time
Pan Size (Diameter)	90 mm
Dimensions (W × H × D)	17 × 14 × 28 cm
Net Weight	2.3 kg
Shipping Weight	3.9 kg

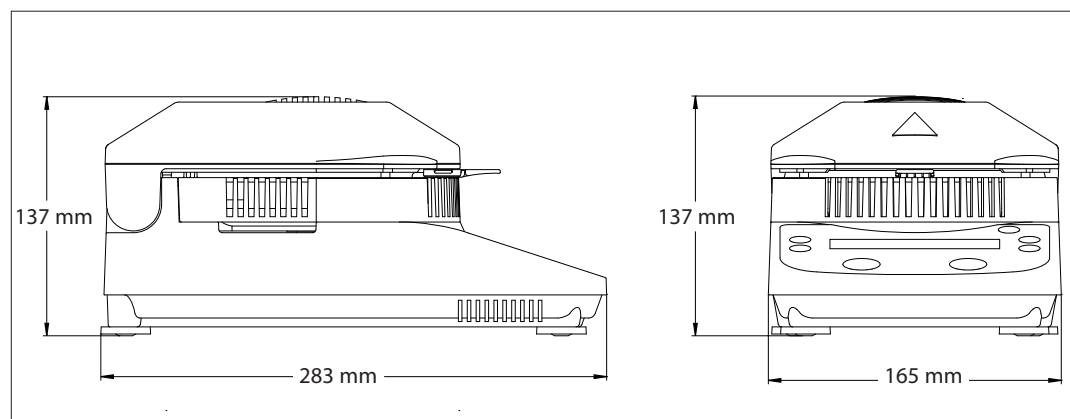
## Compliance

- **Product Safety:** IEC/EN 61010-1, IEC/EN 61010-2-010
- **Electromagnetic Compatibility:** IEC/EN 61326-1 Class B, Basic environments

## Accessories

Temperature Calibration Kit, MB Series . . . . .	11113857
Anti-Theft Device . . . . .	80850043
Aluminum Sample Pans, 80 Pcs . . . . .	80850086
Pads, Glass Fiber, Qty 200 Pcs . . . . .	80850087
In-Use-Cover . . . . .	80252475
Pan Holder, MB Series . . . . .	80252476
Sample Cage, MB Series . . . . .	80252477
Reusable Sample Pans, 3 Pcs, 7mm, MB Series	80252478
Reusable Sample Pans, 3 Pcs, 14mm, MB Series	80252479
Impact Printer SF40A . . . . .	30064202
Thermal Printer, STP-103, EU . . . . .	80251993

## Outline Dimensions



OHAUS Europe GmbH  
Heuwinkelstrasse  
8606 Naenikon  
Switzerland

e-mail: ssc@ohaus.com  
Tel: 0041 22 567 53 19  
e-mail: tsc@ohaus.com  
Tel: 0041 22 567 53 20

[www.ohaus.com](http://www.ohaus.com)

OHAUS Corporation is an ISO  
9001:2008 manufacturer

ISO 9001:2008  
Registered Quality  
Management System

CH16B065

