

MINI HOTPLATES & STIRRERS



Compact, Reliable, Easy-to-Use Hotplates and Stirrers for Basic Heating and Stirrings

Rugged OHAUS Mini Hotplates and Stirrers can heat and stir up to 1000 ml of water on the 4 x 4 in. (102 x 102 mm) ceramic top plate surface. These units are ideal for educational and other lab environments that require simple, every-day heating and stirring. All models feature a built-in support rod holder with a locking knob, which accepts the optional support rod kit. Stirring models include 1.5 in. (38 mm) PTFE coated stir bar.

Standard Features Include:

- Select the function you need for your everyday heating and stirring. Five models to choose from - Hotplate, Fixed Temperature Hotplate, Stirrer, Auto Stirrer and combination Hotplate-Stirrer.
- Our mini hotplate stirrer is easy to clean up. All models feature a smooth, chemical-resistant ceramic top plate. This brilliant white reflective surface is optimal for viewing your samples.
- Designed for safety-unique housing material is heat-resistant making it not only cool to the touch, but also chemical-resistant. Spill resistant design ensures long-term reliable use.

MINI HOTPLATES & STIRRERS

Model No.	HSMNHP4CAL	HSMNHP4CFT	HSMNST4CAL	HSMNAS4CAL	HSMNHS4CAL
Function	Heating		Stirring	Stirring, Auto Start/Stop	Heating and Stirring
Speed Range	—		100 to 1200 rpm		
Temperature Range	to 500 °C	500 °C	—	—	to 500 °C
Capacity	1000 mL				
Plate Size (L × W)	10.2 cm × 10.2 cm				
Control	Analog				
Plate Construction	Ceramic				
Dimensions (H × L × W)	12.7 cm × 20.1 cm × 15.2 cm				
Net Weight	1.8 kg				
Power	230 V, 0.9 A, 50/60 Hz		230 V, 0.25 A, 50/60 Hz		230 V, 1.25 A, 50/60 Hz
Power Consumption	200 W		20 W		100 W
Working Environment	5 °C–40 °C, 20% to 85% RH, non-condensing				

Other Standard Features and Equipment

Valox housing, basic control knobs, 3.8 cm spinbar® (included with stirring models), On/Off toggle switch (fixed temperature models).

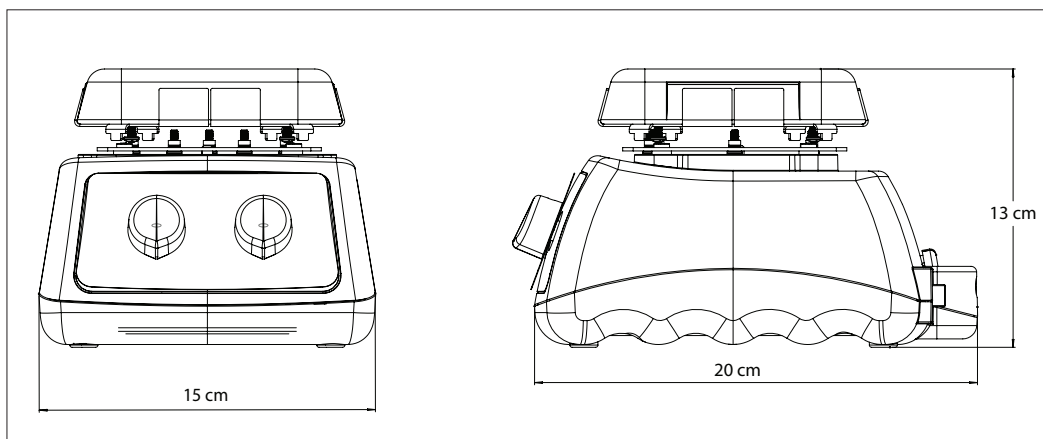
Compliance

- **Product Safety:** EN 61010-1, EN 61010-2-010, EN 61010-2-051
- **Electromagnetic Compatibility:** EN 61326-1 Class A, Industrial environments
- **Compliance marks:** CE; RCM; TÜV SÜD

Accessories

Item No.	Description	HSMNHP4CAL	HSMNHP4CFT	HSMNST4CAL	HSMNAS4CAL	HSMNHS4CAL
30400145	Ultra Flex Support Kit	•	•	•	•	•
30400146	Support Rod And Clamp Kit	•	•	•	•	•
30400147	Spinbar® 2.5 cm PTFE			•	•	•
30400148	Spinbar® 3.8 cm PTFE			•	•	•
30400149	Spinbar® 7 cm PTFE			•	•	•
30400150	Spinbar® 10 cm with Pivot Ring PTFE			•	•	•

Dimensions



**LAB
TECH**
 Equipements Scientifiques et
 Consommables de Laboratoire
www.labtech.com.tn
 @ : contact@labtech.com.tn
 ☎ : (+216) 71 483 166 / 188

OHAUS Europe GmbH
 Heuwinkelstrasse
 8606 Naenikon
 Switzerland

e-mail: ssc@ohaus.com
 Tel: 0041 22 567 53 19
 e-mail: tsc@ohaus.com
 Tel: 0041 22 567 53 20

www.ohaus.com

*The management system
 governing the manufacture
 of this product is ISO 9001:2015
 certified.*

CH16E029

